

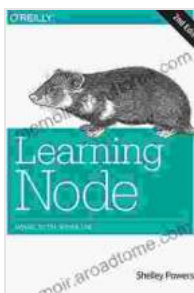
Learning Node: Embarking on Your Server-Side Odyssey

Prologue: The Dawn of Server-Side Computing

In the vast expanse of web development, the server-side realm stands as the backbone of interactive and dynamic web applications. It's where the real magic happens, where data is processed, requests are handled, and responses are generated. For those seeking to delve into this enigmatic domain, Node.js emerges as a beacon of innovation.

Chapter 1: Node.js Fundamentals - Laying the Foundation

Node.js, a JavaScript runtime environment, has revolutionized server-side development. Its event-driven, non-blocking architecture renders it exceptionally efficient and scalable. This chapter delves into the core concepts of Node.js, guiding you through its event loop, modules, and error handling mechanisms.

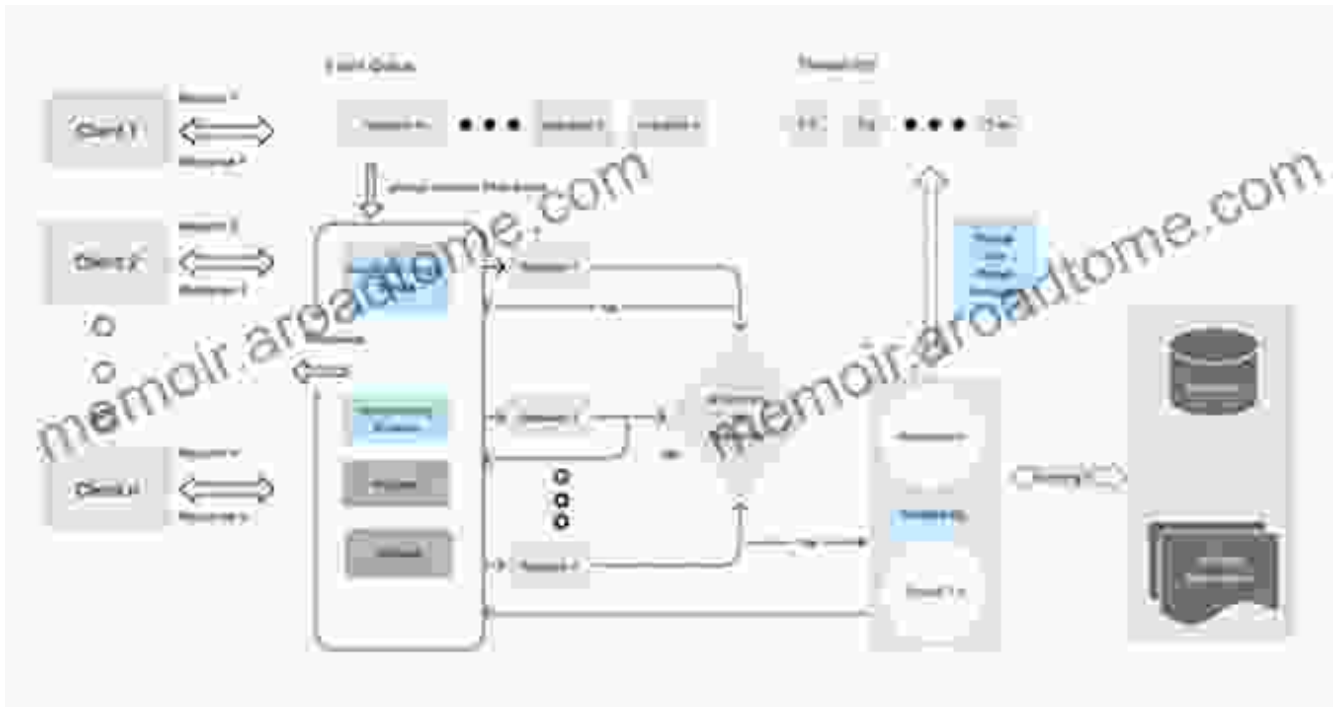


Learning Node: Moving to the Server-Side by Shelley Powers

★★★★☆ 4.3 out of 5

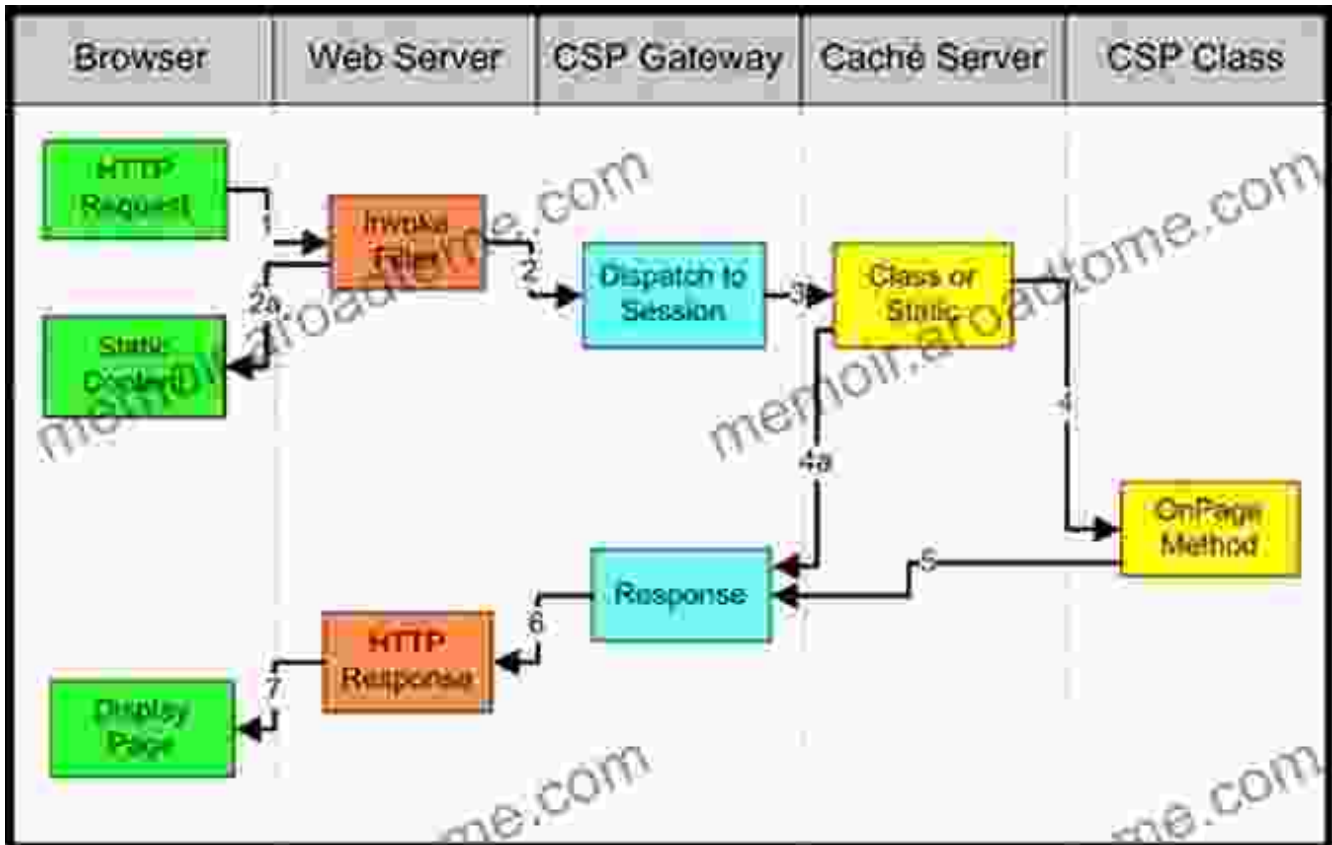
Language : English
File size : 6663 KB
Text-to-Speech : Enabled
Screen Reader : Supported
Enhanced typesetting : Enabled
Print length : 435 pages





Chapter 2: HTTP Requests and Responses - The Gateway to Communication

The lifeblood of web applications lies in handling HTTP requests and crafting tailored responses. This chapter elucidates the process of creating HTTP servers using Node.js, enabling you to capture incoming requests, extract data, and generate dynamic content. You'll also explore middleware functions, a powerful technique for enhancing request handling.



Chapter 3: Databases and Data Persistence - The Keepers of Information

Data is the lifeblood of modern applications, and Node.js empowers you to interact with a wide range of databases. This chapter focuses on MongoDB, a popular NoSQL database, guiding you through database operations, schema design, and query optimization. You'll learn how to store, retrieve, and manipulate data effectively.



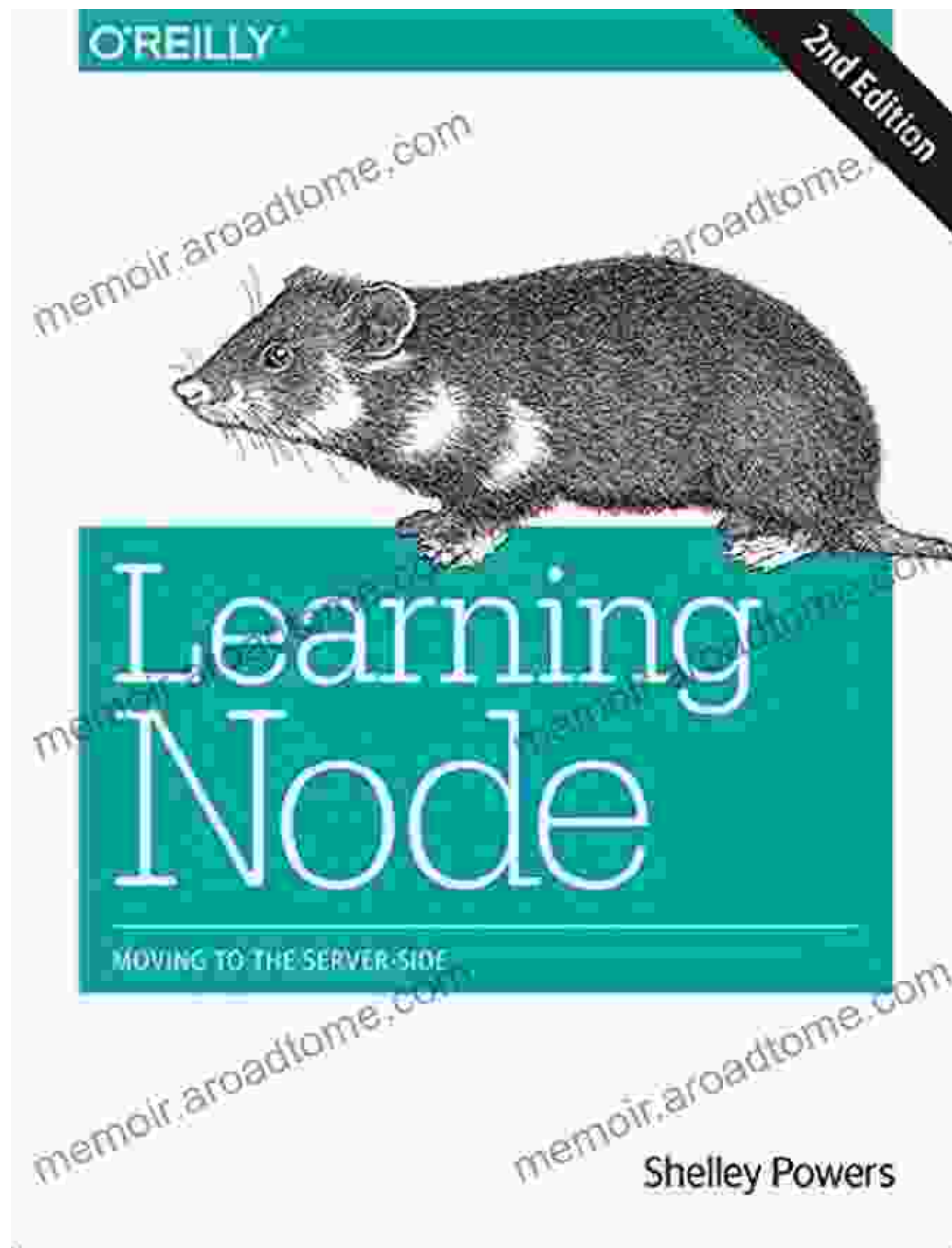
Chapter 4: Authentication and Authorization - Gatekeepers of Security

Protecting your web applications from unauthorized access is paramount. This chapter delves into authentication and authorization techniques using Node.js. You'll discover methods for implementing user registration, password hashing, and token-based authentication. Role-based access control will also be explored, empowering you to define granular access levels for different users.



Chapter 5: Deployment and Production - Unleashing Your Creation

Once your application is meticulously crafted, it's time to unleash it upon the world. This chapter guides you through the process of deploying your Node.js application to production environments. You'll learn best practices for hosting, monitoring, and scaling your application to handle increasing user traffic.



Epilogue: The Endless Journey of Server-Side Mastery

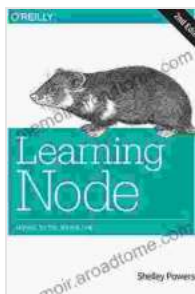
As you embark on this extraordinary journey into server-side development with Node.js, remember that it's a continuous learning odyssey. Embrace new challenges, delve into advanced topics, and stay abreast of the ever-evolving landscape of web technologies. With unwavering dedication and a

thirst for knowledge, you will undoubtedly conquer the realm of server-side programming.

Call to Action: Embark on Your Node.js Adventure Today!

Are you ready to ascend to the next level of web development prowess? Seize this opportunity to delve into the world of server-side programming with Node.js. Free Download your copy of "Learning Node: Moving to the Server Side" today and empower yourself with the knowledge to craft robust, scalable, and secure web applications. Your journey begins here!

Free Download Now



Learning Node: Moving to the Server-Side by Shelley Powers

★★★★☆ 4.3 out of 5

Language : English
File size : 6663 KB
Text-to-Speech : Enabled
Screen Reader : Supported
Enhanced typesetting : Enabled
Print length : 435 pages





Corrosion and Its Consequences for Reinforced Concrete Structures

Corrosion is a major threat to reinforced concrete structures, leading to significant deterioration and potential failure. This article provides a comprehensive overview of...



Discover the Enigmatic World of Pascin in "Pascin Mega Square"

Immerse Yourself in the Captivating World of Jules Pascin "Pascin Mega Square" is a magnificent art book that delves into the enigmatic world of Jules...